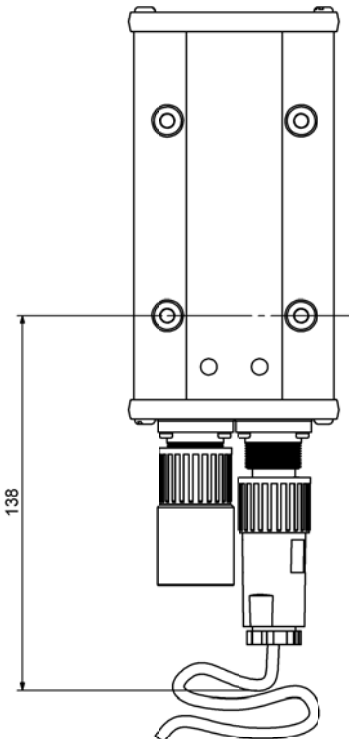
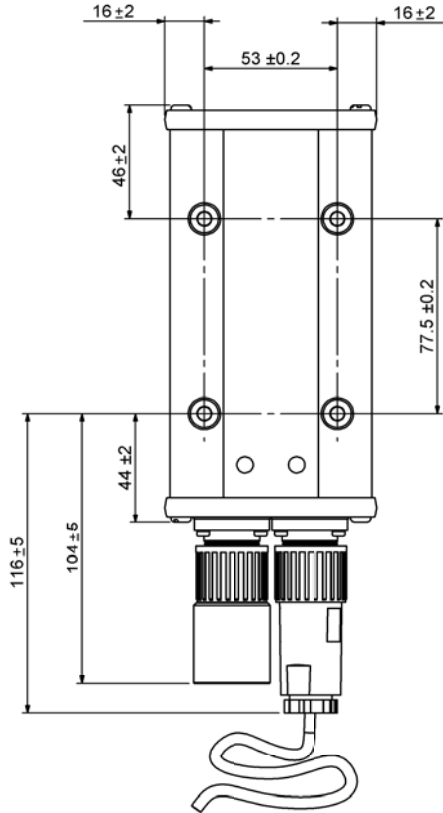
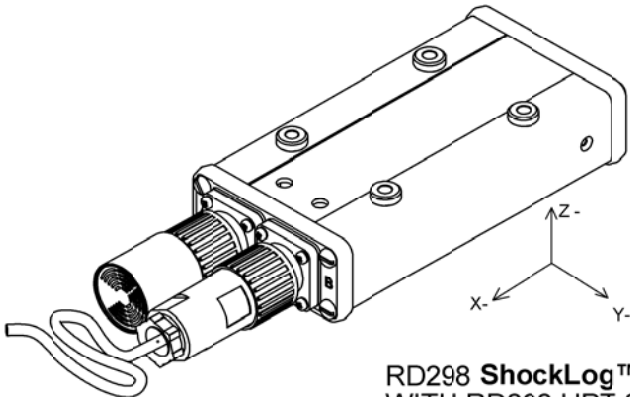
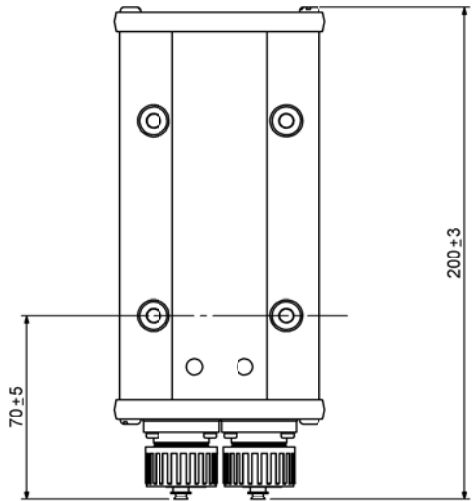


THIRD ANGLE PROJECTION

ATTACH TO SUBJECT WITH 4 x M5 BOLTS



VIEW SHOWING MINIMUM PARAMETER FOR CONNECTOR REMOVAL



RD298 ShockLog™ recorder WITH RD298 HPT SENSOR AND COMMUNICATION CABLE

ALL DIMENSIONS IN MM UNLESS OTHERWISE STATED

ISSUE	1	2	3	4	DRAWN	ND	TOLERANCES	MATERIAL	LAMERHOLM ELECTRONICS LTD	
	IG298301	IG298302	IG298303	IG298304	CHECKED		HOLE SIZES	—	TITLE	DRAWING
	CDN3399	CDN3806	CDN3872	CDN5069	MASTER DRAWING SIZE	A4	HOLE CENTRES ELSEWHERE UNLESS OTHERWISE STATED	—	RD298 ShockLog™ recorder	29830
DATE	15/7/93	7/9/00	5/1/01	2/9/05	SCALE	NTS		FINISH	INSTALLATION GUIDE	SHT 1 OF 1

